

COMPONENTS SUPPLIED

AKM Mobile Man Anchor is provided with the following components:

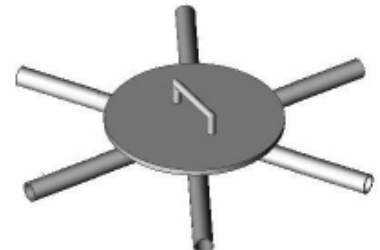
- The central “spider” piece - Has 6 or 8 legs depending on whether you have the 260KG or 340KG Version
- 6 (260KG Version) or 8 (340KG Version) Steel Feet
- 6 (260KG Version) or 8 (340KG Version) Rubber Weights
- M10 Nuts & Bolts - 6 (260KG Version) or 8 (340KG Version)

Detailed Component Inspection

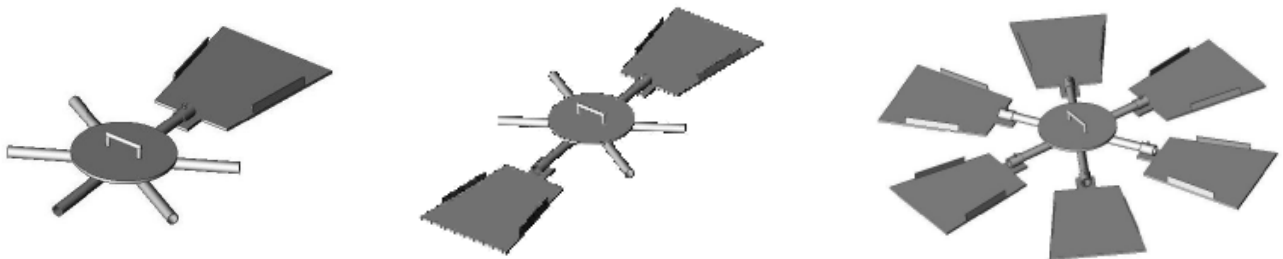
- Check central “spider” piece arms for distortion or dents. Ensure that this does not affect the fitting of the weights
- Check handle is securely in place
- Check all rubber pads on the weights are in good order – no tears or rubber missing
- Check any galvanized components showing any signs of corrosion or rust
- Check for damage to rubber weights

ASSEMBLY

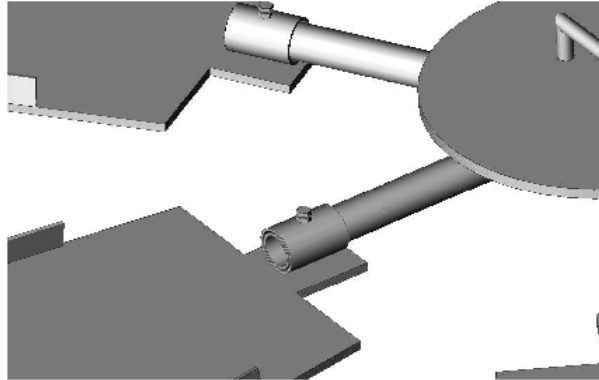
1/ Place the central “spider” piece on the roof surface, at least 2.5m from the edge of the area you are working.



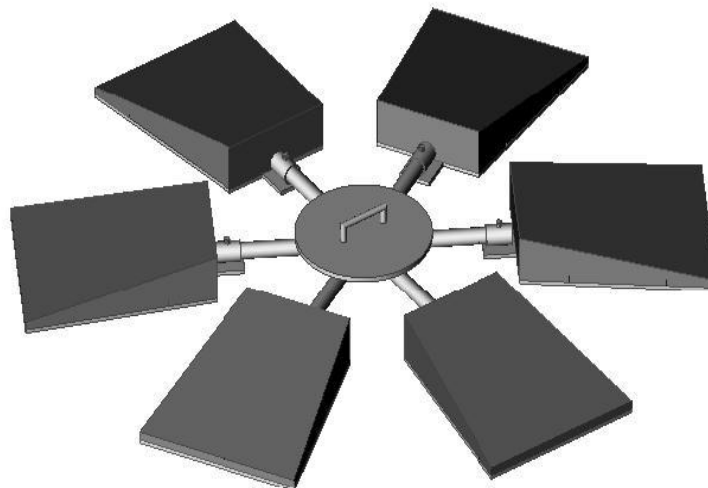
2/ Secure steel feet to the central “Spider”.



3/ Fix the steel feet to the central “spider”, with the supplied M10 nuts & bolts.



4/ Slide the rubber weights into the steel feet.



5/ Make sure all connections are fixed and assembled correctly with no obvious distortions in balance. When connecting to the anchor device use an EN 362 Compliant connector, ensure you have checked your harness equipment and rope prior to each use, and that it is secured in a suitable way to the Man-Anchor. Your Man-Anchor is now ready for use.



Tel: 01257 260441
Fax: 01257 233866
Email: info@akmfabrications.co.uk

AKM Fabrications
Unit J, Buckshaw Link
Ordnance Road, Buckshaw Village
Chorley
PR7 7EL

Visit our website at: www.akmfabrications.co.uk